

DONYA - SHADE - ALL VARIANTS

EACH SHADE IS SOLD AS A SEPARATE ADD-ON. THE LAMP IS NOT PART OF THE PACKAGE

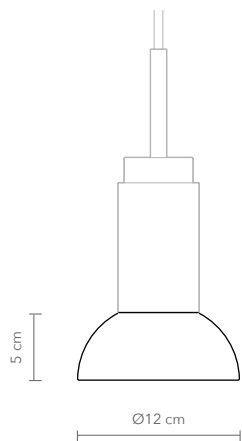
AVAILABLE MATERIALS AND FINISHES:

Glass white opal

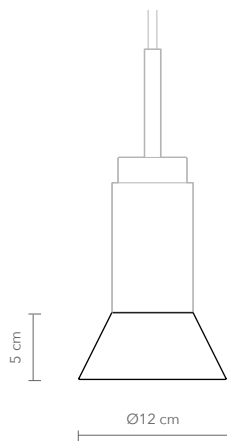
Onyx stone mix

Onyx stone amber

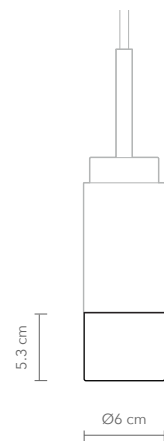
Onyx stone white



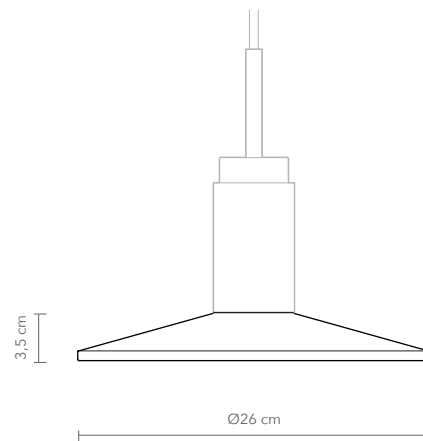
MOON SHADE
weight: 0,8 kg
package : 1,1 kg
stone only



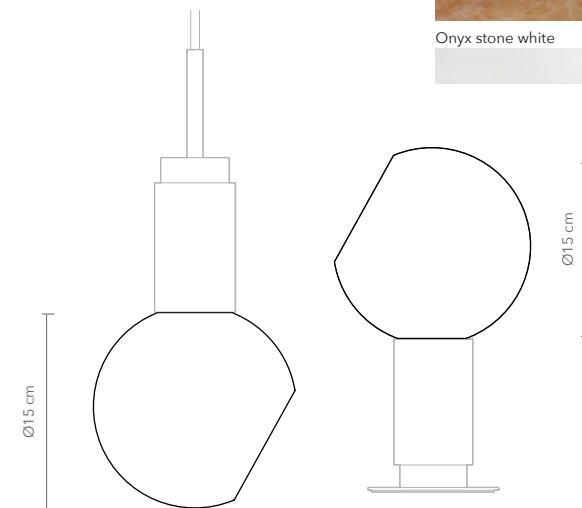
TRAPEZE SHADE
weight: 0,5 kg
package : 0,8 kg
stone only



CYLINDER SHADE
weight: 0,2 kg
package : 0,5 kg
stone only



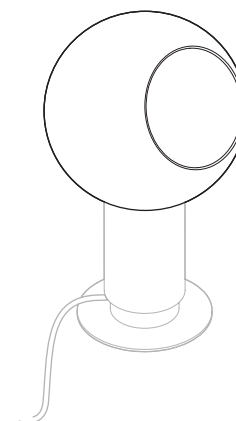
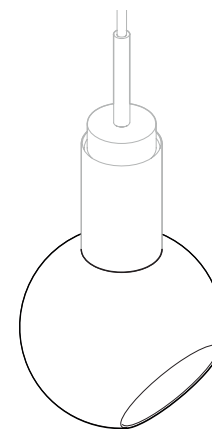
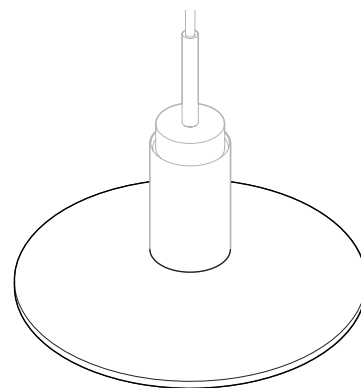
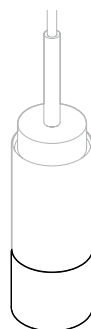
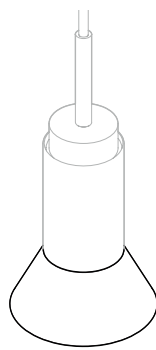
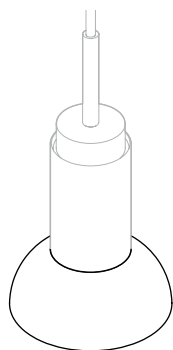
SOLAR SHADE
weight: 2,6 kg
package : 4 kg
stone only



SPHERE SHADE
weight: 1 kg
package : 1,2 kg
glass only

STONE SHADE COMES WITH A METAL HOLDER.

This part is available in brushed brass, brushed copper or brushed stainless steel, depending on the material of the lamp (e.g. lamp in browned brass has a brushed brass stone holder)



PRODUCT: DONYA - SHADE

LEAD TIME: 8-10 weeks

MATERIAL: Opal glass, stone